

Technical Data Coin-type Manganese Dioxide Lithium Battery

Type: CR2430

Made in China

2020/04/21

TOSHIBA LIFESTYLE PRODUCTS & SERVICES CORPORATION

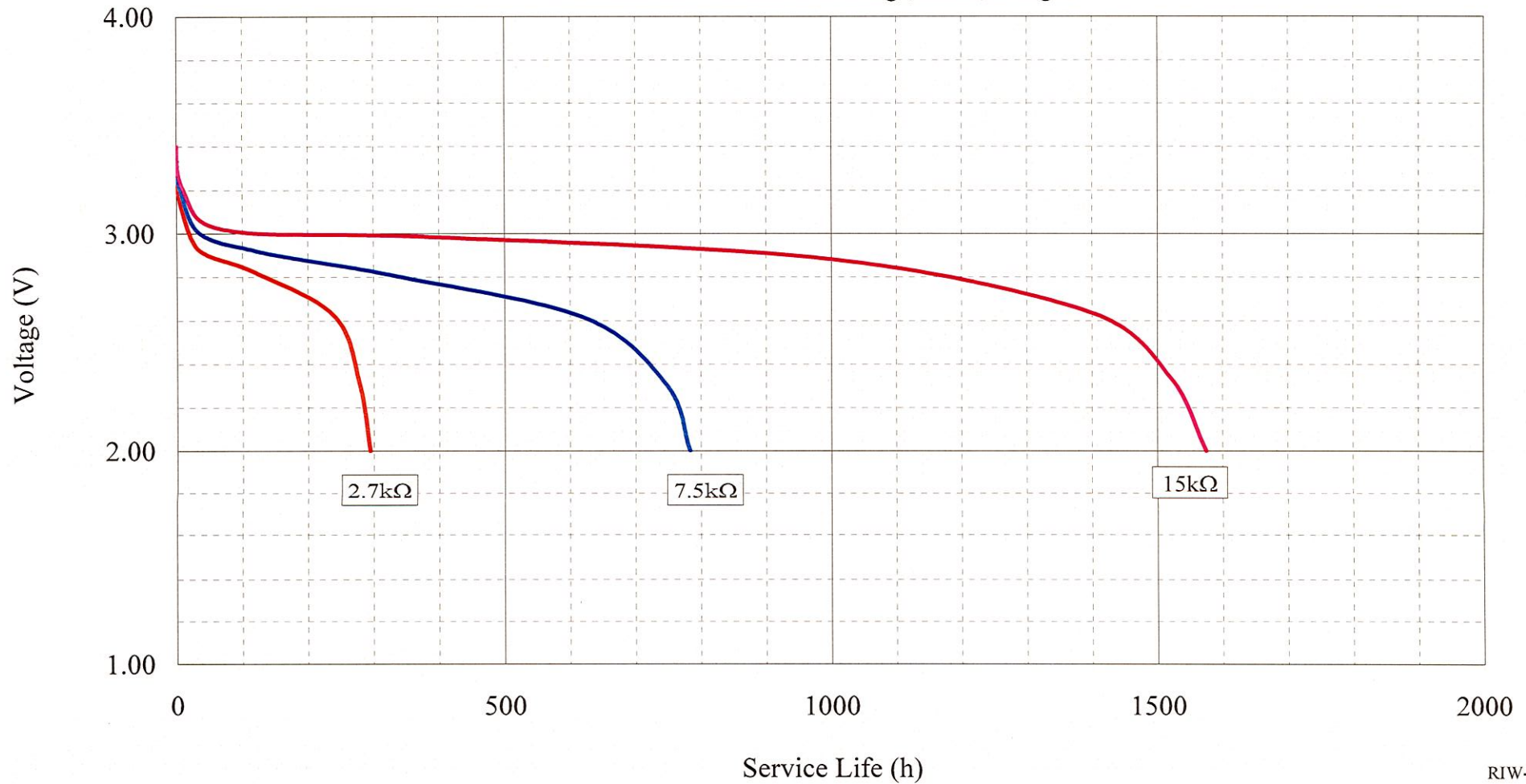
Ratings

Battery system		Coin-type Manganese Dioxide Lithium Battery
Item		
Battery type		CR2430
Nominal Voltage		3.0V
Standard Capacity [Condition]		300 mAh [on continuous discharge under 15k Ω load to 2.0V end-point at 20deg.C]
Terminals	Cap Terminals	SUS + Ni plate
	Base Terminals	SUS + Ni plate
Outer dimensions	Diameter	φ24.5(0/-0.3)mm
	Overall height	3.0(0/-0.3)mm
Usable temperature range		-20 ~ 65deg.C
Storage temperature range		

This is only for reference.(not guaranteed.) This information contained herein may be changed without prior notice.

CR2430 Discharge Characteristics

Test condition : cotinuous discharge, Initial, 20deg.C



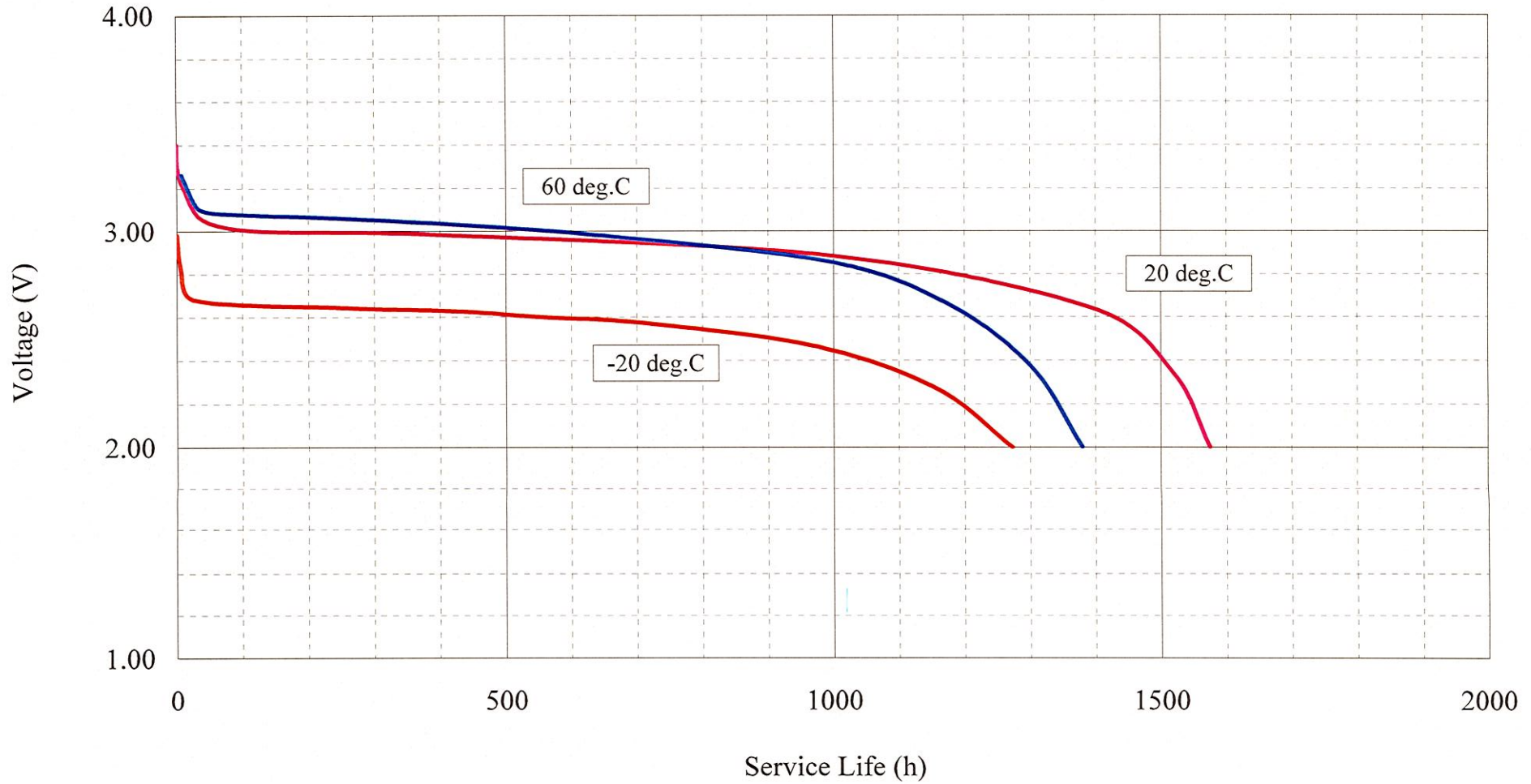
RIW-K

This is only for reference. (not guaranteed.) The information contained herein may be changed without prior notice.

Proprietary materials of TOSHIBA LIFESTYLE PRODUCTS & SERVICES CORPORATION

CR2430 Discharge Characteristics

Test condition: 15kΩ continuous discharge, Initial

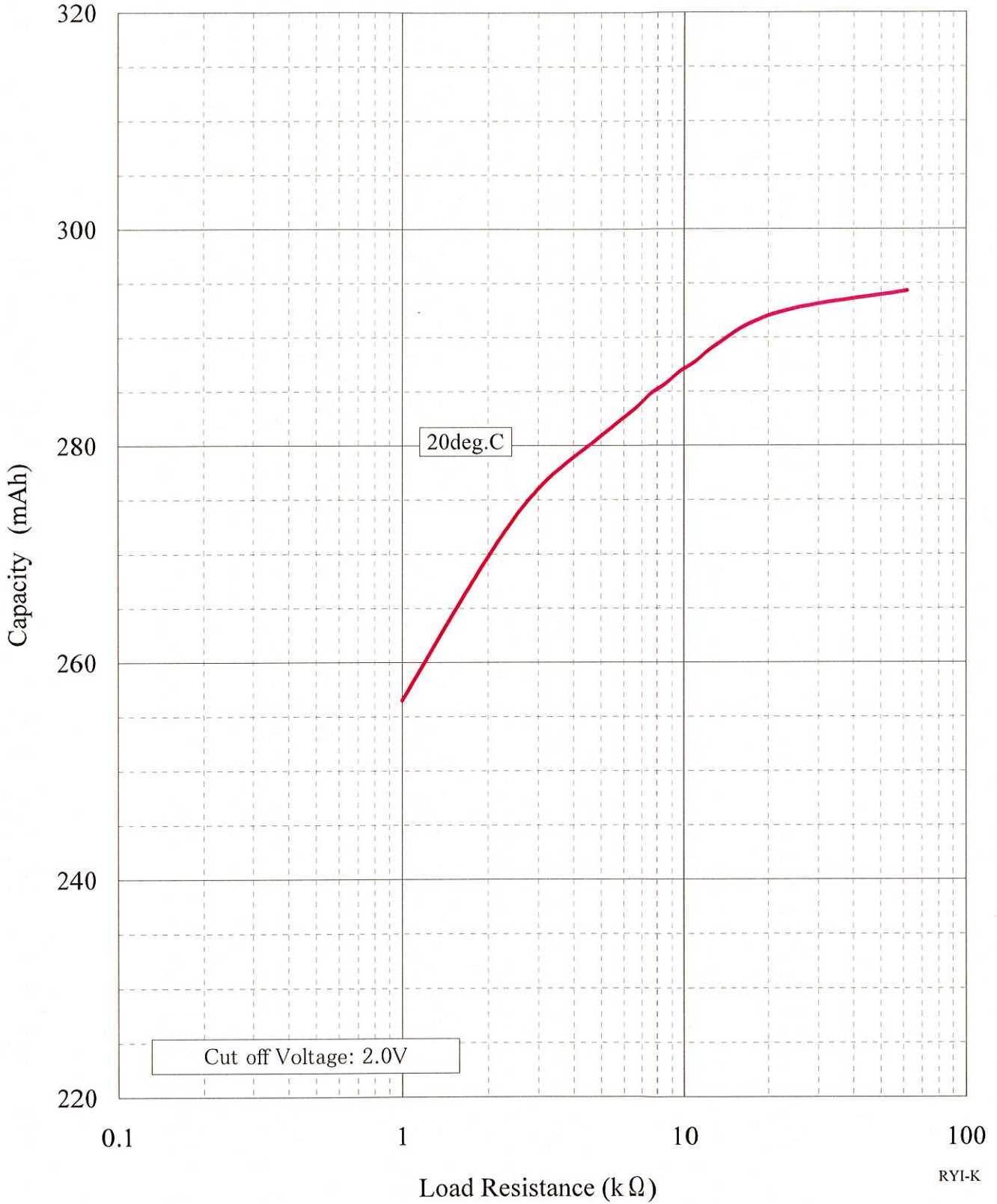


This is only for reference. (not guaranteed.) The information contained herein may be changed without prior notice.

Proprietary materials of TOSHIBA LIFESTYLE PRODUCTS & SERVICES CORPORATION

CR2430 Load Resistance vs Capacity

Test condition : Initial, 20deg.C



This is only for reference. (not guaranteed.) The information contained herein may be changed without prior notice.

Proprietary materials of TOSHIBA LIFESTYLE PRODUCTS & SERVICES CORPORATION

CR2430 Safety Evaluation Test

	n	Conditions	Requirements
Vibration test	5	Amplitude: 1.0mm Frequency: 10 to 55 to 10Hz Sweep: 1minute Period: 2h per each direction of X and Y axes, 4h in total	Open-circuit voltage is to be kept same as initial value. No abnormal appearance and no substandard dimensions are to be observed.
Weighing test	5	Weight of 19.8N(2kgf) is laid for 1 hour and 9.8N(1kgf) for 24 hours respectively on all over negative side of cells.	Open-circuit voltage is to be kept same as initial value. No abnormal appearance and no substandard dimensions are to be observed.
Drop test	5	Number of drops: 10 times Height: 75cm Floor: Concrete Direction: Free	Open-circuit voltage is to be kept same as initial value. No abnormal appearance and no substandard dimensions are to be observed.
Heat test	5	Cells are kept stored for 24hrs. Temperature: 80+/-2deg.C Humidity: 70%RH or less.	Open-circuit voltage is to be kept same as initial value. No abnormal appearance and no substandard dimensions are to be observed.
Temperature cycle	5	Temperature : -10deg.C ⇔ 60deg.C (4h/Cycle, 6cycle/day,20Day)	Open-circuit voltage is to be kept same as initial value. No abnormal appearance and no substandard dimensions are to be observed.
Short-circuit test	5	Cells are Short-circuited for 48 hours.	No burst, No fire

This is only for reference.(not guaranteed.) This information contained herein may be changed without prior notice.

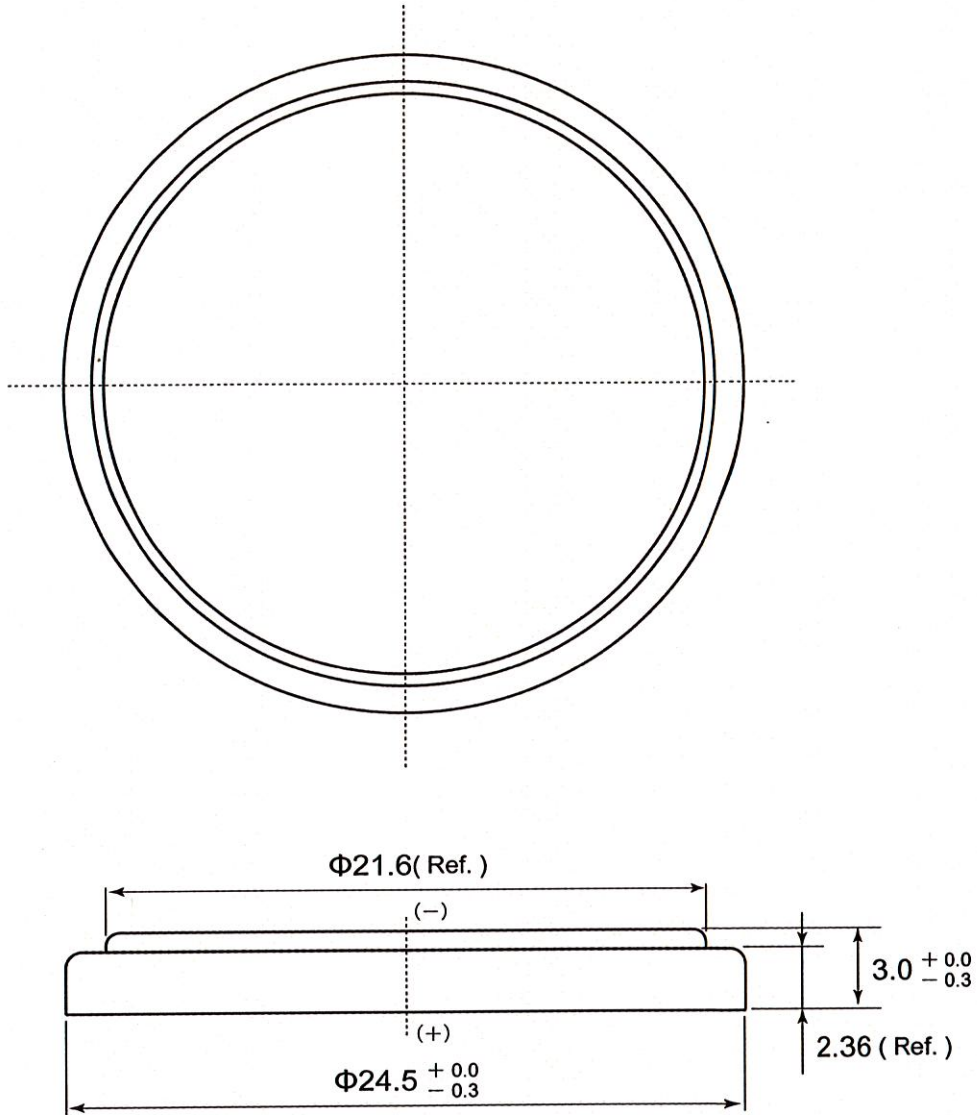
CR2430 Leakage Performance

Test items		Electrolyte Leakage (%)			
		20days	40days	60days	90days
Test condition	Storage period				
	Storage at high temperature and high humidity	45deg.C-70%RH	0	0	0
60deg.C-90%RH		0	0	-	-
Temperature cycle	Temperature : -10deg.C ⇔ 60deg.C (4h/Cycle, 6cycle/day,20Day)	0	-	-	-

This is only for reference.(not guaranteed.) This information contained herein may be changed without prior notice.

Proprietary materials of TOSHIBA LIFESTYLE PRODUCTS & SERVICES CORPORATION

CR2430 Outline Drawing



Unit: mm

This is only for reference.(not guaranteed.) This information contained herein may be changed without prior notice.

Proprietary materials of TOSHIBA LIFESTYLE PRODUCTS & SERVICES CORPORATION