

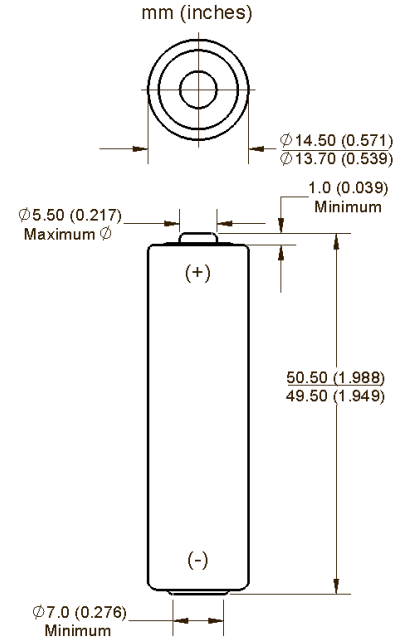


Rayovac Stock Number: 815, 815 OEM, AA ULTRA PRO

## Specifications

<b>Chemistry:</b>	Alkaline (Zinc-Manganese Dioxide)
<b>Designation:</b>	ANSI - 15A, IEC – LR6
<b>Nominal Voltage:</b>	1.5 volts
<b>Approximate Weight:</b>	0.8 Oz (24.4 grams)
<b>Approximate Volume:</b>	0.45 CU IN (7.4 cc)
<b>Operating Temp:</b>	-30°C to 55°C (-20°F to 130°F)
<b>Shelf Life:</b>	10 years at 21°C
<b>Terminals:</b>	Flat Contact
<b>Case material:</b>	Plastic Film
<b>Environmental:</b>	No mercury added formulation. Meets Environmental Protection Agency (EPA) requirements for landfill disposal. <a href="#">Rayovac Material Safety Sheets</a>

## ANSI / IEC Standard Dimensions



## Typical Service Life – ANSI Application Tests

Name	Test	Runtime	mAh
Digital Camera	DSC 1.5/.65K MW 2/.1/27.9S 10X EV 1HR 21C to 1.05V	0.85 hours	450
Grooming	750 MA 1 HR/DY 21C to 1.1 V	1.25 hours	940
Lighting	3.9 Ω 21C to 0.9V	8.1 hours	2420
Toy	3.9 Ω 21C to 0.9V	8.7 hours	2370
CD / Games	250 MA 1 HR/DY 21C to 0.9 V	9.33 hours	2320
Digital Audio	100 MA 1 HR/DY 21C to 0.9 V	26.2 hours	2620
Remote/Radio/Clock	50 MA 1 HR/DY 21C to 0.9 V	52.5 hours	2620