

BENEFITS:

- The preferred power source for sophisticated photographic equipment
- Maintains high performance in extreme weather (-40°C to +60°C)
- Maintains excellent discharge performance at extremely low temperature



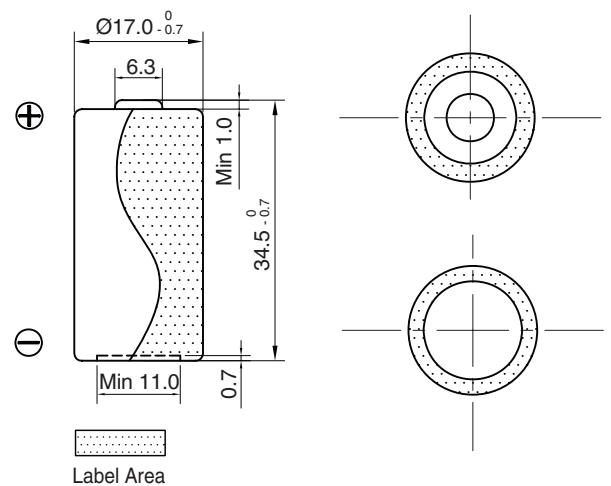
- **GP Lithium Battery**
- **3 Volts**

APPLICATIONS BEST FOR:

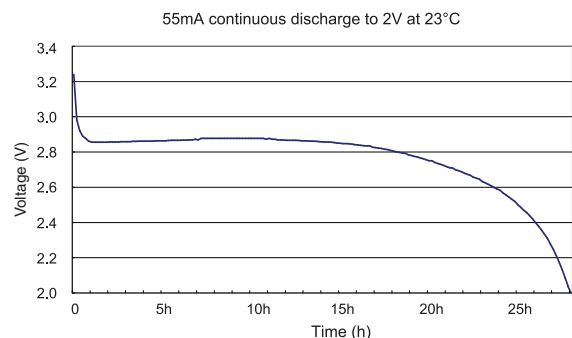
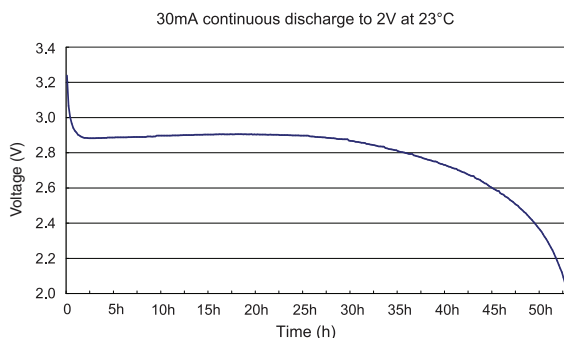
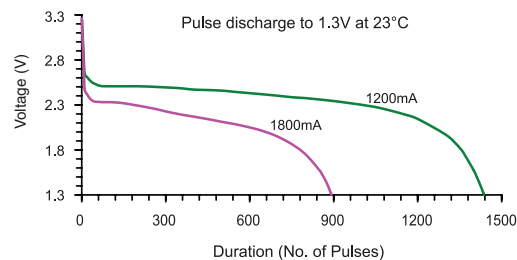
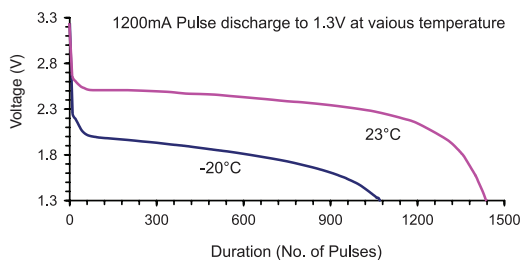


Other Details:

- Lithium Manganese Dioxide chemistry
- Cylindrical cell type
- Average weight: 16g



Unit : mm



www.gpbatteries.com

Model No.: **GPCR123A**

Manufacturer reserves the right to alter or amend the design, model and specification without prior notice.
Copyright© GPI International Ltd. - All rights reserved

Distributed by:

MICROBATTERY.COM
7350 NW 35th Terrace, Miami, Florida 33122
Customer Service: 1-866-999-2355
Phone: 1-305-371-9200 Fax: 1-305-371-9400
www.microbattery.com