

GP Batteries

Data Sheet

Model No.: VR153

Document Number: SDS0558

Revision: 0

Page 1 of 3

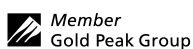
Specifications :

Model No	:	VR153
Battery Type	:	Nickel Metal Hydride
For use with	:	Sharp View Cam VL-E78E
Color	:	Black (B)
Battery	:	6 X NT250AFH
Nominal Voltage	:	3.6V
Cut Off Voltage	:	3.0V
Nominal Capacity	:	5000 mAh at 0.2C**
Minimum Capacity	:	4650 mAh at 0.2C**
Temperature Range	:	Charge : 0 ~ 45°C Discharge : -20 ~ 50°C Storage : -20 ~ 35°C
Casing Material	:	ABS
Typical Weight	:	250g
Charging	:	Battery should be charged in an Original Manufacturer charger. First Charge Rate : 0.1C Subsequent Charge Rate : 0.1C ~ 1C
Leakage Test	:	Leakage test starts after battery is fully discharged. Battery shall be placed under load. The battery should be monitored for a period up to two months but not less than days.
Safety	:	Each battery is equipped with a thermistor and thermostat to protect battery from high temperature and/or short circuit Each cell is also equipped with a safety vent system in case abuses occur.
Warranty	:	Six (6) months limited warranty from date of purchase.

**data valid only when the battery pack is on fully charged condition.

*** Battery pack should be firstly charged and discharged for 3 complete cycles as a warm-up. The pack
should then be charged at 0.1C and its capacity be measured by discharging at 0.2C till cut.

"Sharp" is registered trademarks of the Sharp Corporation.



Manufacturer reserves the right to alter or amend the design, model and specification without prior notice.

GP Batteries

Data Sheet

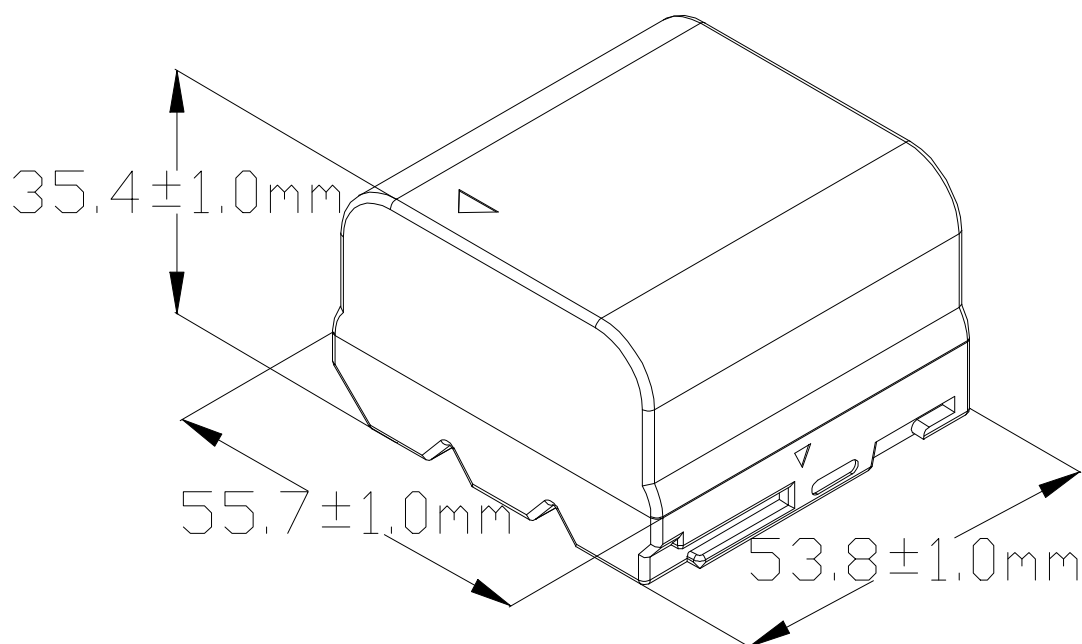
Model No.: VR153

Document Number: SDS0558


Revision: 0

Page 2 of 3

Mechanical Drawing:



Remark: Dimensions showed are for reference only. For detail, please refer to the engineering drawing.

 Member
Gold Peak Group

Manufacturer reserves the right to alter or amend the design, model and specification without prior notice.

GP Batteries

Data Sheet

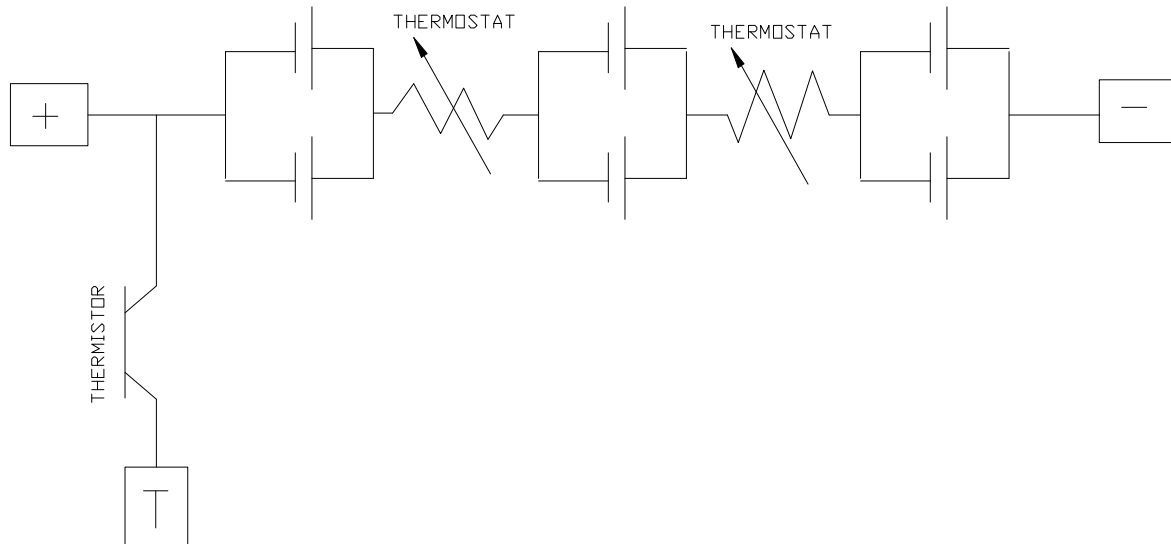
Model No.: VR153

Document Number: SDS0558

Revision: 0

Page 3 of 3

Circuit Diagram:



DESCRIPTION	CHECK POINT	SPECIFICATION
OCV	"+" ~ "-"	3.6V Min.
THERMISTOR	"T" ~ "-"	8.2~13.7K ohm (20~27°C)

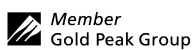
Distributed by:

MICROBATTERY.COM

7350 NW 35th Terrace, Miami, Florida 33122

Customer Service: 1-866-999-2355 Phone: 1-305-371-9200 Fax: 1-305-371-9400

www.microbattery.com



Manufacturer reserves the right to alter or amend the design, model and specification without prior notice.