

GP Batteries

Data Sheet

Model No.: VCL010

Document Number: SDS0465

Revision: 00

Page 1 of 3

Specifications:

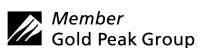
| | | |
|---------------------------|---|--|
| Model No | : | VCL010 |
| For use with | : | Canon ES50, ES55, ES60, ES65, ES75, ES4000, ES5000, ES6000, ES300V, ES410V, ES420V, ES6500V, ES7000V, ES8000V, ES8100V, ES8200V, ES8400V, GL-1 |
| Color | : | Black (BLK) |
| Battery Type | : | Lithium Ion |
| Battery | : | 6 × 1865L180 |
| Nominal Voltage | : | 7.4V |
| Maximum Charge Voltage | : | 8.4V |
| Discharge Cut Off Voltage | : | 5.6V |
| Typical Capacity | : | 5400 mAh at 0.2C** |
| Minimum Capacity | : | 4860 mAh at 0.2C** |
| Temperature Range | : | Charge: 0 ~ 45° C Discharge: -20 ~ 60° C Storage: -20 ~ 45° C |
| Casing Material | : | ABS + PC |
| Typical Weight | : | 273g |
| Safety | : | Each battery pack has a protection circuit that would protect against over-voltage, over-discharge and over-current abuses occur. Every Lithium Ion cell is provided with several internal safety features to prevent over-charge, over-current, and to resist physical abuse. Each has a temperature sensitive shut down separator, pressure sensitive tear away tab for current interruption, a safety vent, and the industries only temperature actuated current interrupter. |
| Warranty | : | Six (6) months limited warranty from date of purchase. |

**' Data valid only when the battery pack is on fully charged condition.

***' Battery pack should be firstly charged and discharged for 3 complete cycles as a warm-up.

(Details refer to Lithium-Ion Battery Product Specification.)

Brand names of camcorders are registered trademarks of the respective manufacturers.



Manufacturer reserves the right to alter or amend the design, model and specification without prior notice.

GP Batteries

Data Sheet

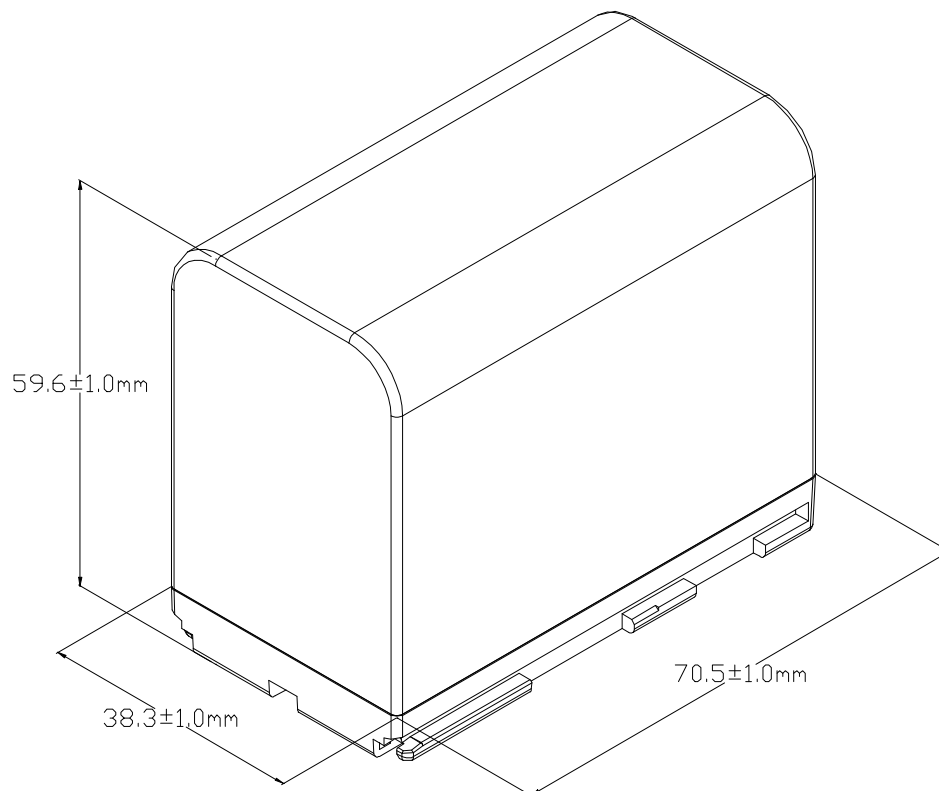
Model No.: VCL010

Document Number: SDS0465

Revision: 00

Page 2 of 3

Mechanical Drawing:



Remark: Dimensions showed are for reference only. For detail, please refer to the engineering drawing.

GP Batteries

Data Sheet

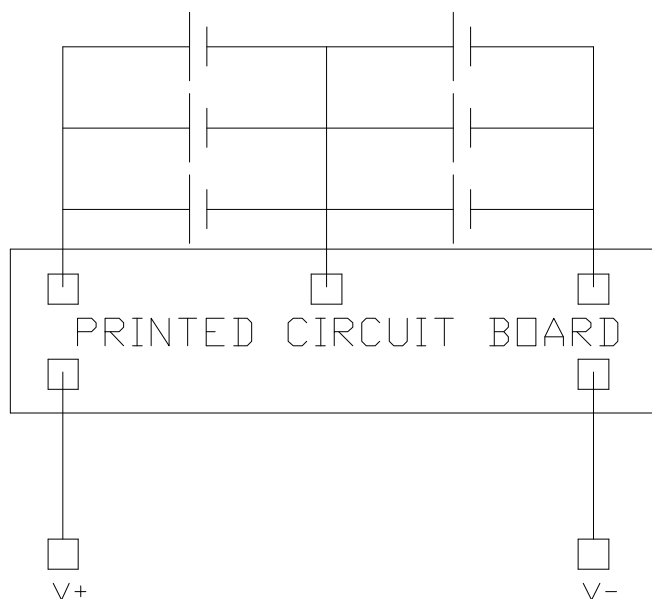
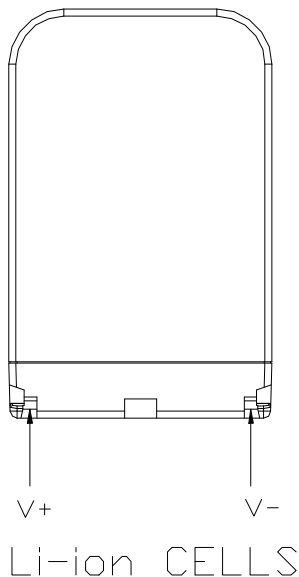
Model No.: VCL010

Document Number: SDS0465

Revision: 00

Page 3 of 3

Circuit Diagram:



| | | |
|-------------|---------------|-----------|
| □CV | 'V+'-'V-' | 7.4V MIN. |
| CHECK POINT | SPECIFICATION | |

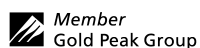
Distributed by:

MICROBATTERY.COM

7350 NW 35th Terrace, Miami, Florida 33122

Customer Service: 1-866-999-2355 Phone: 1-305-371-9200 Fax: 1-305-371-9400

www.microbattery.com



Manufacturer reserves the right to alter or amend the design, model and specification without prior notice.