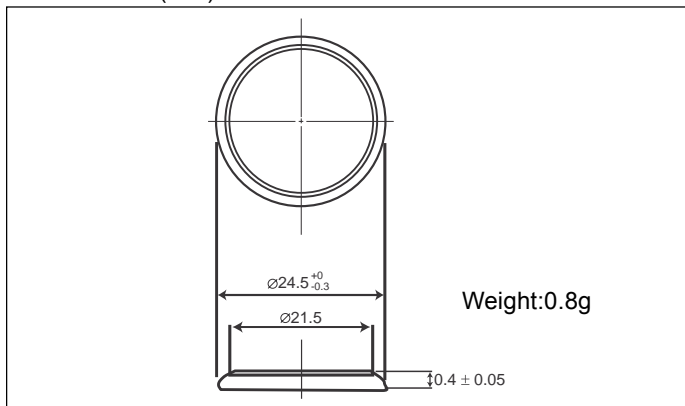


Manganese Dioxide Lithium Coin Batteries: Individual Specifications

CR2404 (Under development)*

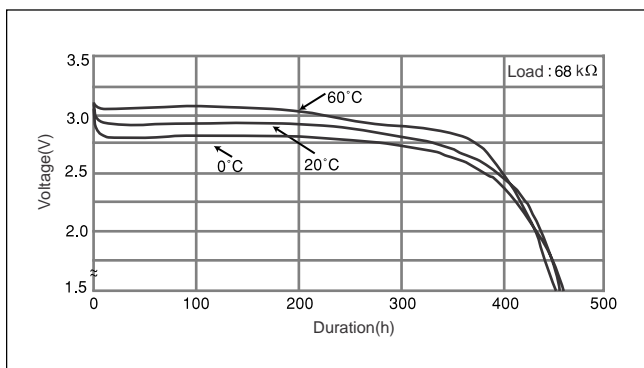
■ Dimensions(mm)



Nominal voltage (V)	3
Nominal capacity (mAh)	18
Continuous standard load (mA)	0.03
Operating temperature (C)	-30 ~ +60

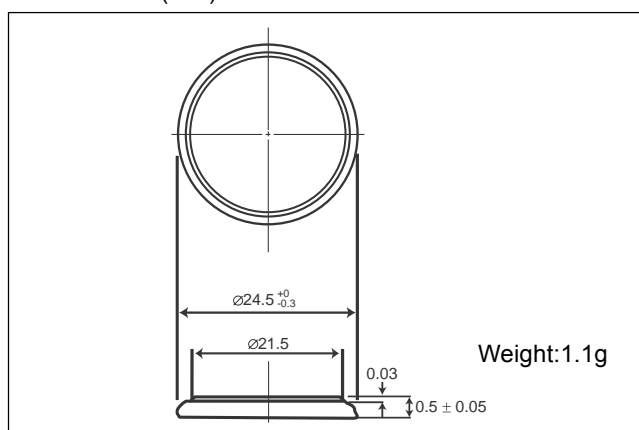
* Please contact Panasonic for the latest information on this product.

■ Temperature Characteristics



CR2405 (Under development)*

■ Dimensions(mm)



■ Specification

Nominal voltage (V)	3
Nominal capacity (mAh)	28
Continuous standard load (mA)	0.03
Operating temperature (C)	-30 ~ +60

* Please contact Panasonic for the latest information on this product.

■ Temperature Characteristics

