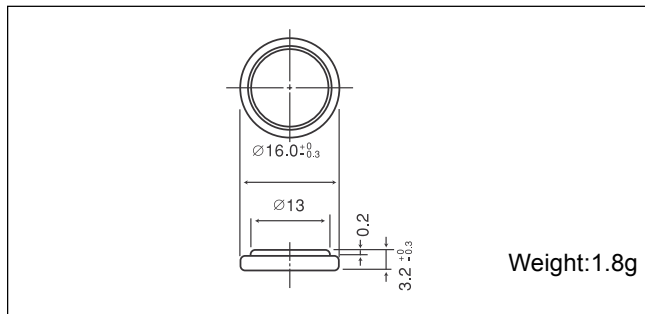


# Manganese Dioxide Lithium Coin Batteries: Individual Specifications

## CR1632

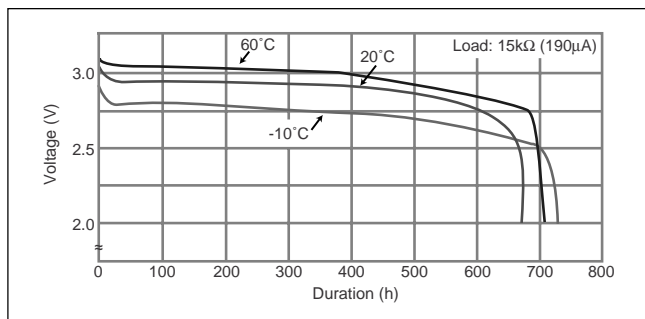
### ■ Dimensions(mm)



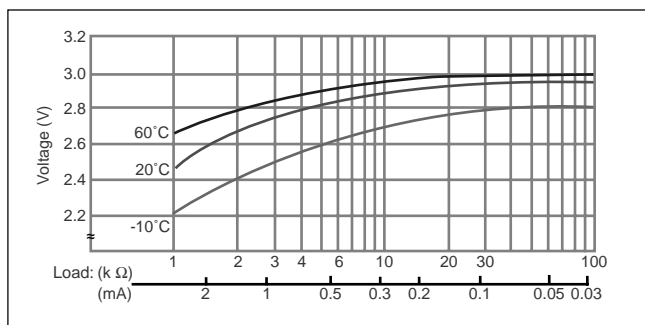
### ■ Specification

<b>Nominal voltage (V)</b>	3
<b>Nominal capacity (mAh)</b>	125
<b>Continuous standard load (mA)</b>	0.1
<b>Operating temperature (C)</b>	-30 ~ +60

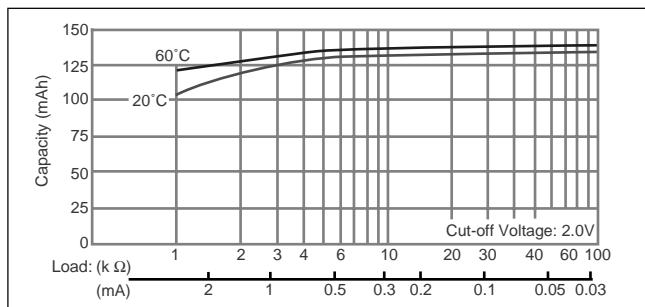
### ■ Temperature Characteristics



### ■ Operating voltage vs. load resistance (voltage at 50% discharge depth)

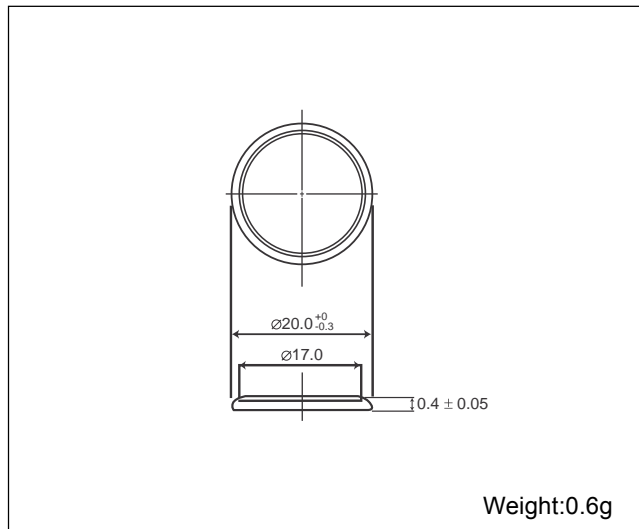


### ■ Capacity vs. load resistance



## CR2004(Under development)\*

### ■ Dimensions(mm)



### ■ Specification

<b>Nominal voltage (V)</b>	3
<b>Nominal capacity (mAh)</b>	12
<b>Continuous standard load (mA)</b>	0.03
<b>Operating temperature (C)</b>	-30 ~ +60

\* Please contact Panasonic for the latest information on this product.

### ■ Temperature Characteristics

