



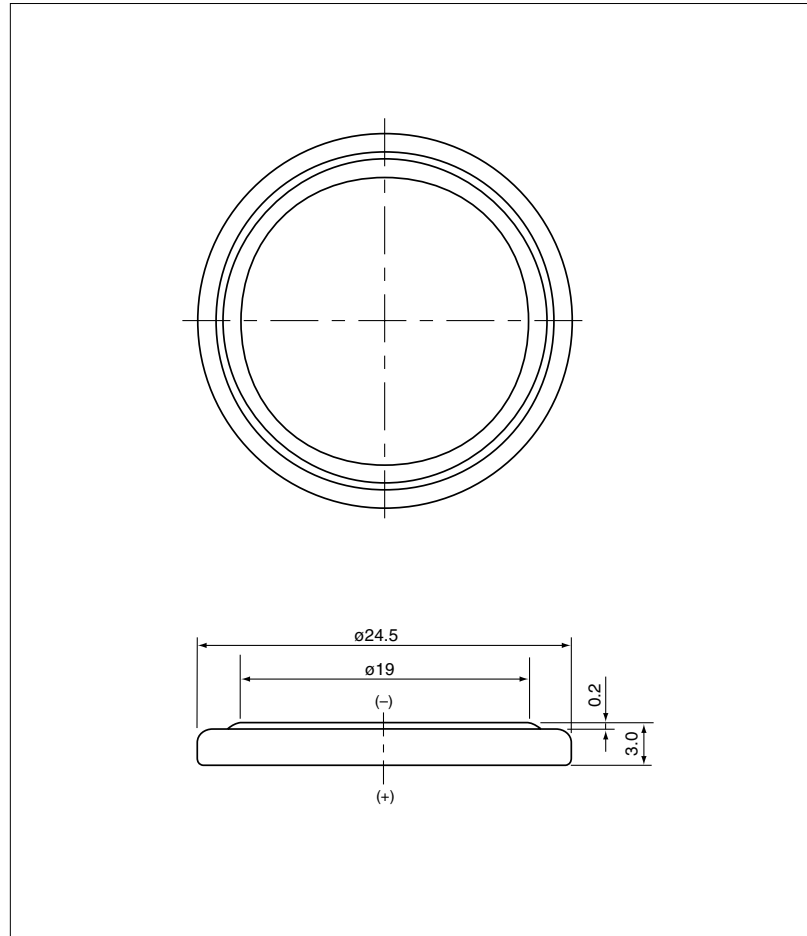
Manganese Dioxide Lithium Battery

maxell

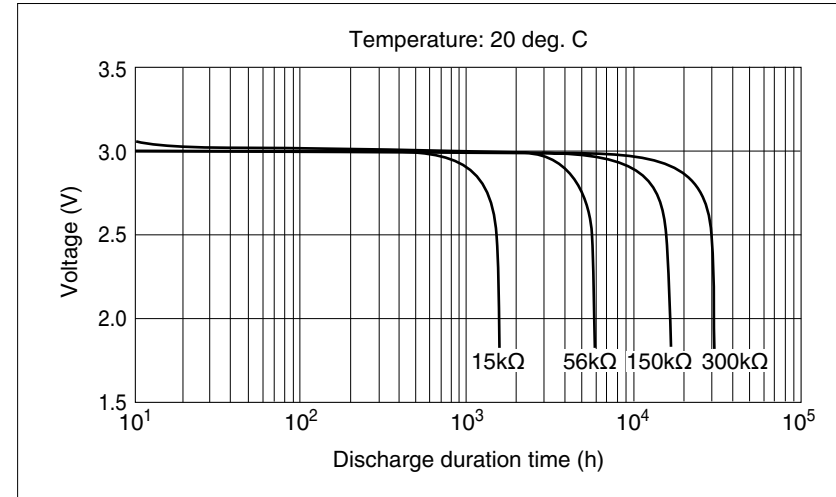
# CR2430 (290mAh)

# Battery Properties

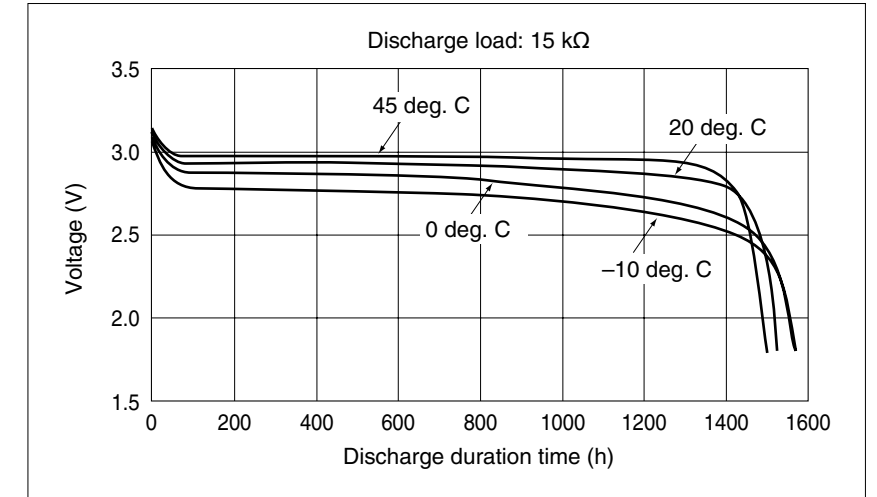
## ● External Dimensions (unit: mm)



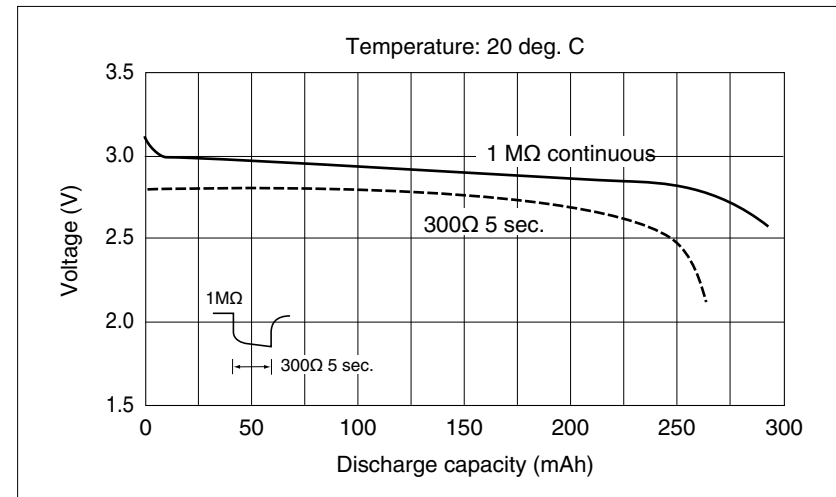
## ● Discharge Characteristics



## ● Temperature Characteristics



## ● Pulse Discharge Characteristics



## ● Relationship between Discharge Current and Discharge Capacity

