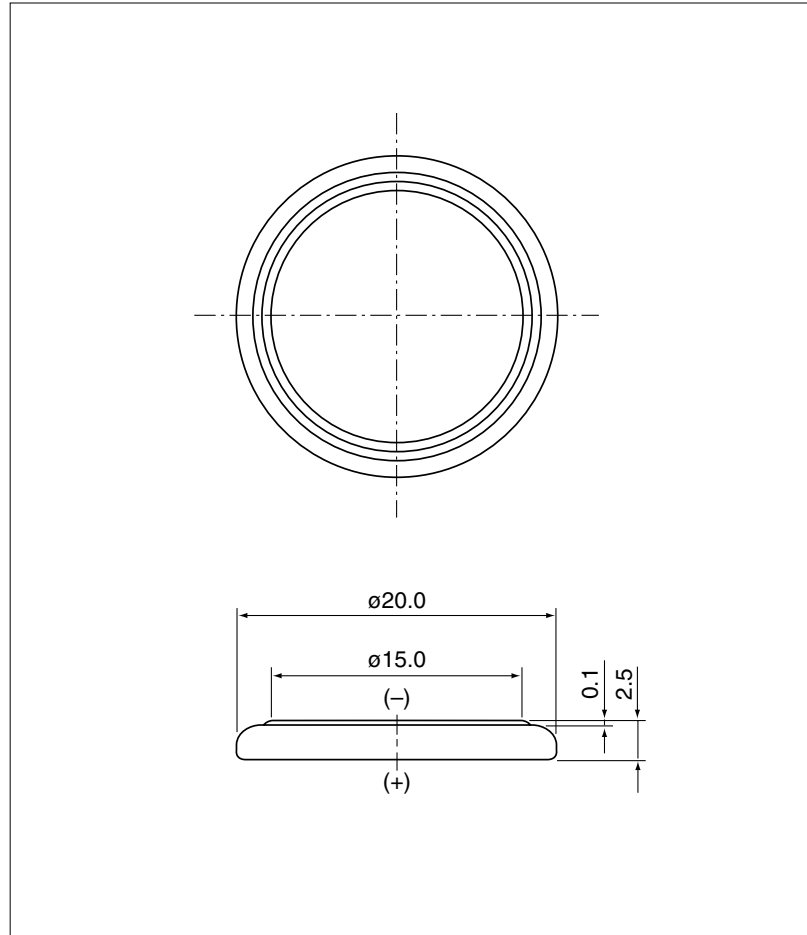




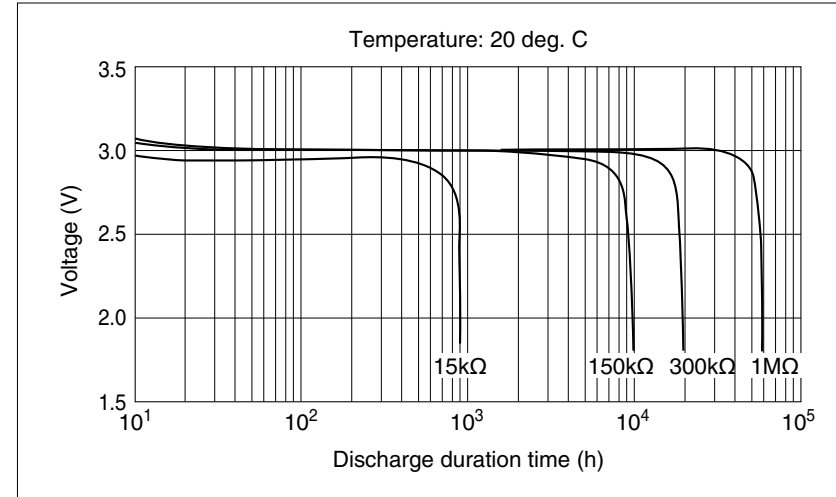
CR2025 (170mAh)

Battery Properties

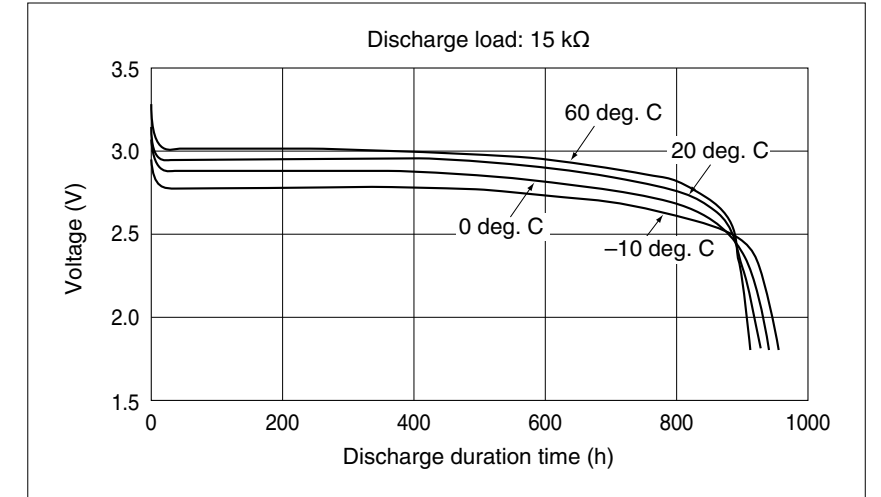
● External Dimensions (unit: mm)



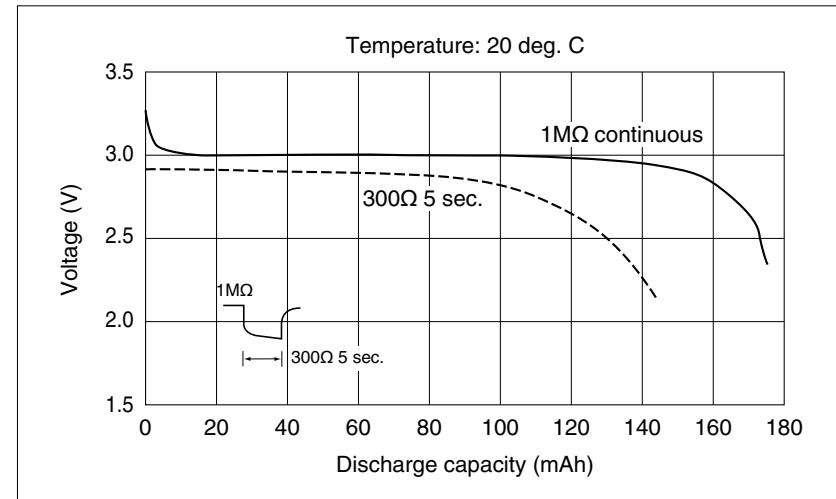
● Discharge Characteristics



● Temperature Characteristics



● Pulse Discharge Characteristics



● Relationship between Discharge Current and Discharge Capacity

