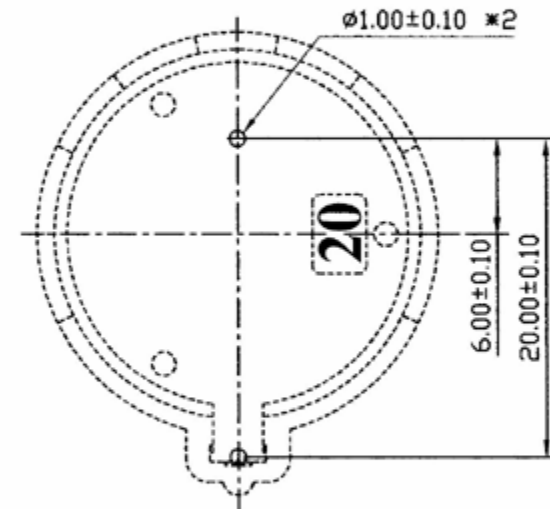



NOTES

1. MATERIALS:
HOUSING-PBT 30%GF UL94V-0.
CONTACT-PHOSPHOR BRONZE, C5191R-H T=0.6mm
2. FLASH: 0.25mm MAX.
3. CAMBER: 0.13mm MAX. DEFOMATION: NA.
WARP: 0.13mm MAX TWIST: NA.
4. COLOR: BLACK
5. PLATING:
TIN 100u" MIN OVER Ni 50u" MIN.
Ni 80u" MIN.



RECOMMEND PCB LAYOUT
COMPONENT SIDE

3		MICROPOWER BATTERY CO.		
2		NAME BH-2032-CH25		
1		SCALE	APPD.	<i>J. K. Srin</i>
NO.	DATE	UNIT	CHKD.	<i>Manjiv Lian</i>
 General Tolerances: Angel: +/- 2° Dim: 0.0 +/- 0.25 0.00 +/- 0.20 0.000 +/- 0.10		MAT'L	DWN.	
		DATE	DR NO.	BH-2032